




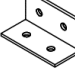





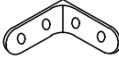
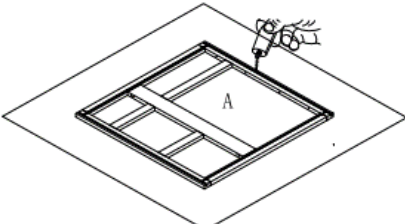
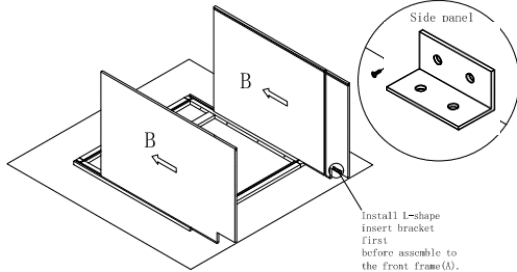
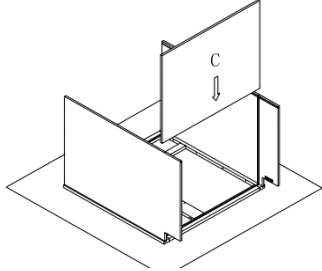
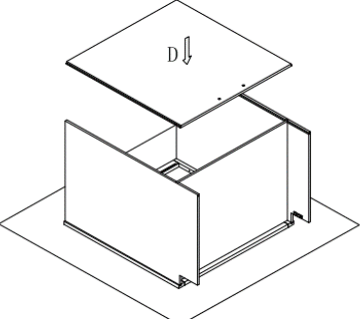
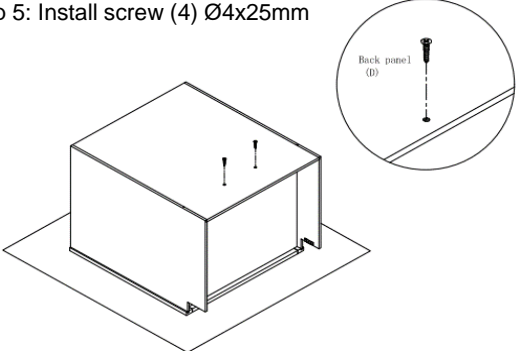
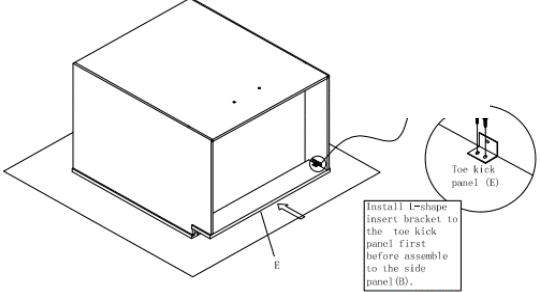


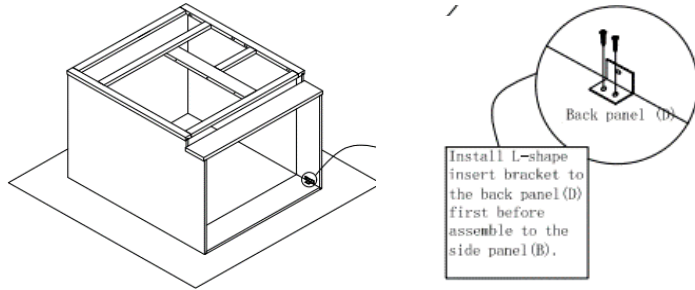
## Vanity Sink Base Cabinet Assembly Instruction

(Item: V42DR-2)

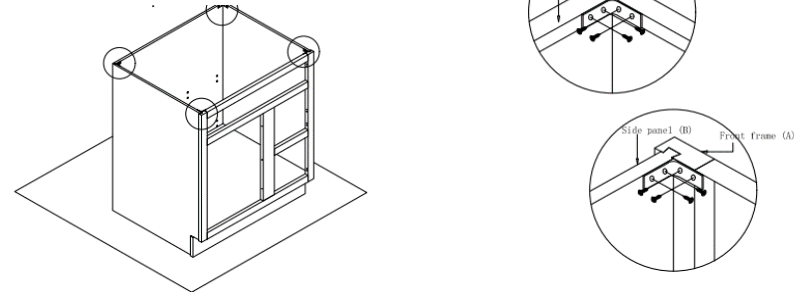
| Hardware list   | 1  | 48PCS       | Φ3.5*12mm | 2   | 8PCS          | Φ4*16mm | 3  | 4PCS         | Φ4*20mm | 4   | 4PCS  | Φ4*25mm | 5  | 16PCS          | Φ3.5*12mm | 6  | 12PCS            |  | 7   | 12PCS | Bumper |
|---|--|-------------|-----------|---|---------------|---------|--|--------------|---------|---|---|---------|--|----------------|-----------|--|------------------|--|---|-------|--------|
|   | Round head screw   |             |           | Flat head screw   |               |         | Round head screw   |              |         | Black flat head screw   |   |         | Round head screw   |                |           | L-shape bracket  |                  |  |   |       |        |
|   |               |             |           |    |               |         |  |              |         |        |   |         |               |                |           |                     |                  |  |  |       |        |
| Assembly tools required   |  Screw driver |             |           |  Rubber mallet   |               |         | H Drawer front   |              |         |  Hinge |   |         |  Drawer slide |                |           |  Galvanized Bracket |                  |  |   |       |        |
|   |  |             |           |   |               |         |  |              |         |   |   |         |  |                |           |  |                  |  |   |       |        |
| Cabinet Part List   | A  | Front frame |           | B   | Side panel(2) |         | C  | Bottom panel |         | D   | Back panel  |         | E  | Toe kick panel |           | F  | Adjustable shelf |  | C   | Door  |        |
| <p>Step 1 : With front frame (A) of cabinet lay down on clean and soft surface then put glue into groove.</p>  |  |             |           | <p>Step 2 : Install side panel. Insert both side panel(B) into groove of front frame(A) until side panel(B) and front frame(A) even.</p>  |               |         |  |              |         |   | <p>Step 3 : Install bottom panel. Insert the bottom panel (C) into groove of side panel(B) until it into the groove of front frame(A).</p>                                       |         |  |                |           |  |                  |  |   |       |        |
| <p>Step 4 : Install back panel. Insert back panel (D) into groove of left and right side panel(B).</p>       |  |             |           | <p>Step 5: Install screw (4) Ø4x25mm</p>   |               |         |  |              |         |   | <p>Step 6 : Install toe kick panel. Fit in the L-shape insert bracket from toe kick panel (E) into side panel (B) bracket and screw the bracket with (1) Φ3.5*12mm screw.</p>  |         |  |                |           |  |                  |  |   |       |        |

(Item:V42DR-2)

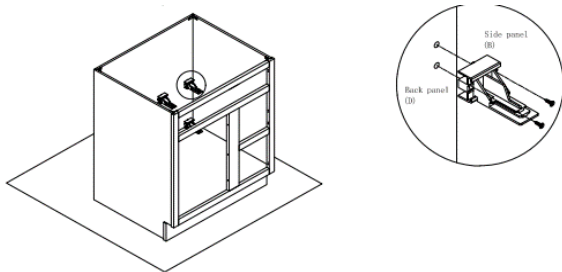
Step 7 : Install back panel. Fit in the L-shape insert bracket from back panel (D) into side panel (B) bracket and assembly the bracket with (1)  $\Phi 3.5 \times 12$ mm screw.



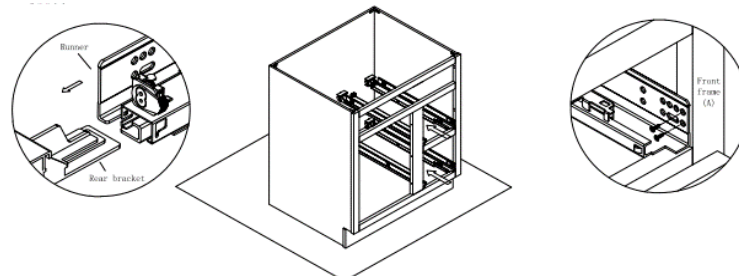
Step 8 : Install corner block. Install rainbow bracket to the side panel (B), front frame (A) and back panel (D) with the (5)  $\Phi 4 \times 16$ mm screw.



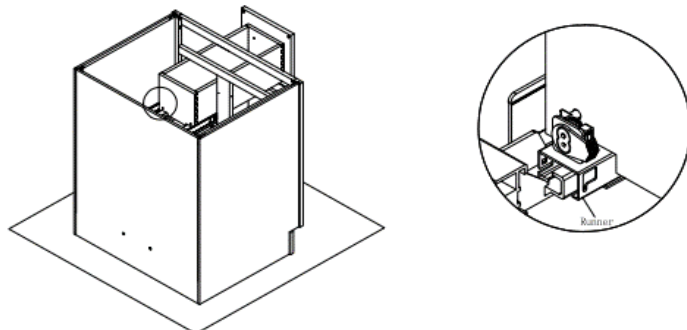
Step 9 : Install the drawer slide rear bracket. Screw the rear slide bracket to the back panel (D)



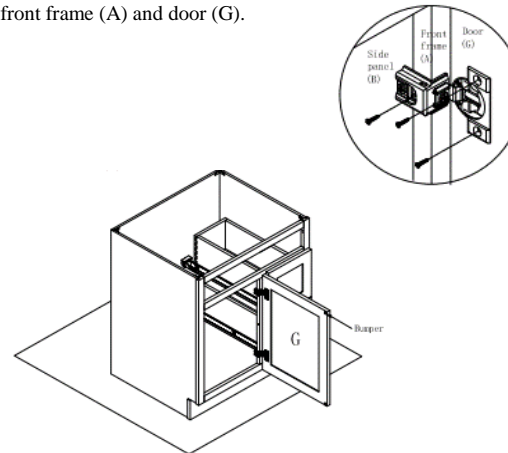
Step 10 : Insert drawer slide runner to the rear slide bracket and screw the drawer slide to the guide hole of front frame (A) and hole for drawer slide.



Step 11 : Put the drawer box on the drawer slide and push the drawer box to make the end of runner is lock to the hole of the drawer back panel. Complete the installation of the drawer box when you hear sound click which mean the locking device is locked on the drawer slide.



Step 12 : Install door panel (G). Screw the hinge to the front frame (A) and door (G).



Step 13 : Finish installation of the cabinet

