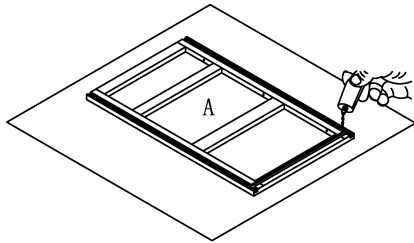


# Vanity Drawer Base Cabinet Assembly Instruction

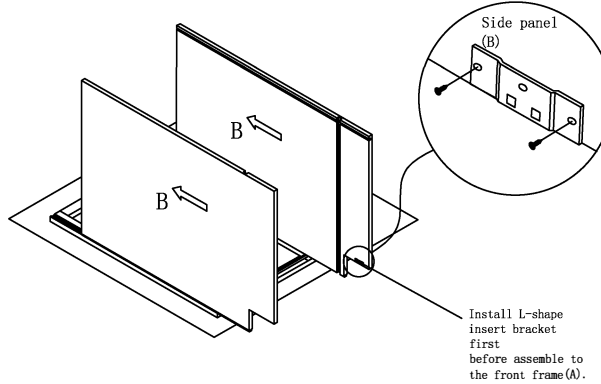
(Item: VDB12-3 VDB15-3 VDB18-3 VDB21-3 VDB24-3)

Hardware list	1	Ø4x16mm	2	Ø4x19mm	3	20pcs	Ø3.5x14mm	4	16pcs	Ø3.5x16mm	5	1pcs	Ø3.5x35mm	6	1-1/4"	7	6mm		
	Flat head screw		Round head screw		Color galvanized screw with flat head		Color galvanized screw with flat head		Black screw with flat head		Hinge		Shelf clips						
Assembly tools required	Screw driver		Rubber mallet		Drawer part		11	4pcs	40mmx40mm	10	12pcs	Ø7	9	4set	L-shape bracket		8	3set	S30B533H10GA08
							Bracket rainbow 90°		Bumper						Drawer slide				
Cabinet Part List	A	Front frame	B	Side panel (2)	C	Bottom panel	D	Back panel	E	Toe kick panel	F	Adjustable shelf	G	Door					

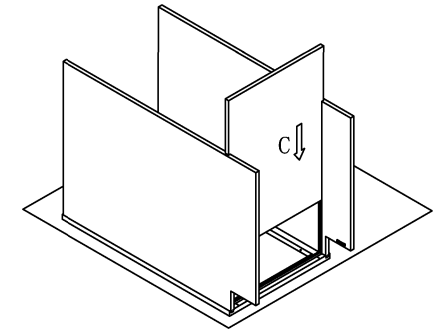
Step 1 : With front frame (A) of cabinet lay down on clean and soft surface then put glue into groove.



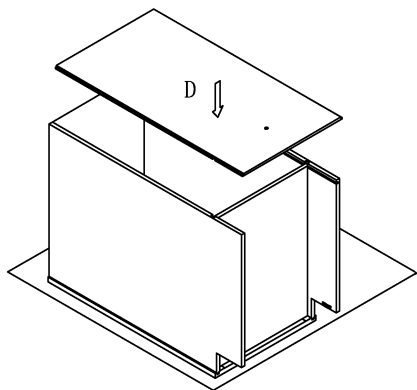
Step 2 : Install side panel. Insert both side panel (B) into groove of front frame (A) until side panel (B) and front frame (A) even.



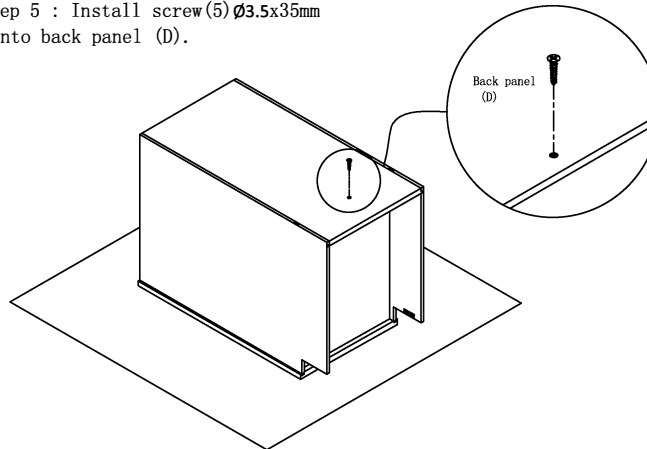
Step 3 : Install bottom panel. Insert the bottom panel (C) into groove of side panel (B) until it into the groove of front frame (A).



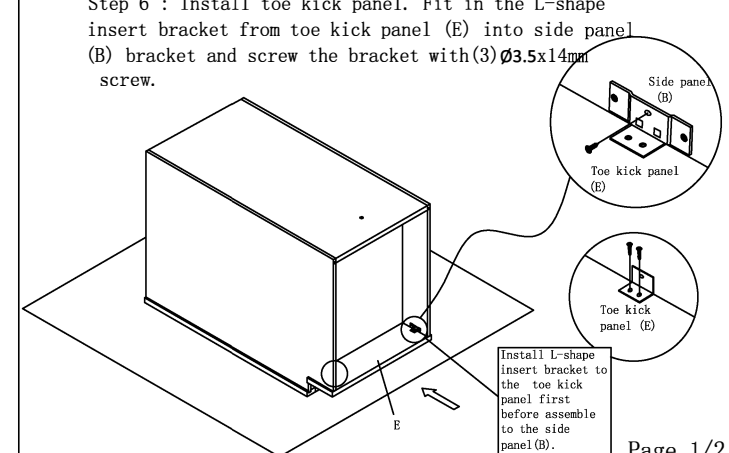
Step 4 : Install back panel. Insert back panel (D) into groove of left and right side panel (B).



Step 5 : Install screw (5) Ø3.5x35mm into back panel (D).



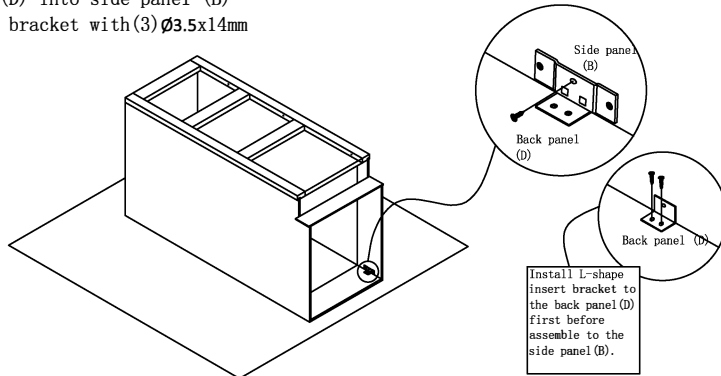
Step 6 : Install toe kick panel. Fit in the L-shape insert bracket from toe kick panel (E) into side panel (B) bracket and screw the bracket with (3) Ø3.5x14mm screw.



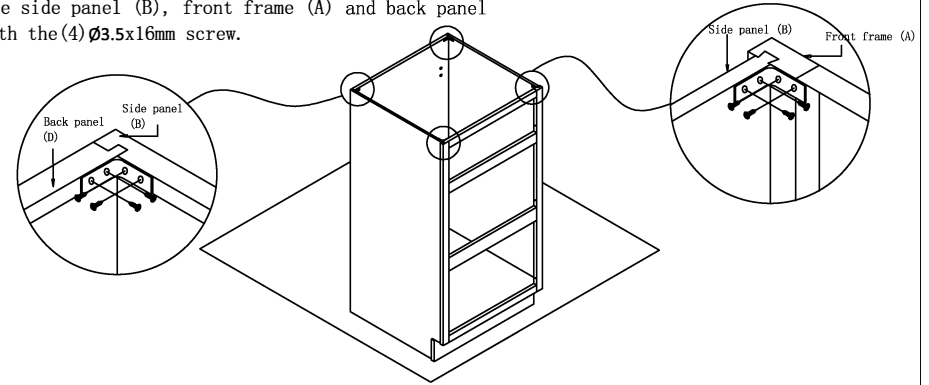
# Vanity Drawer Base Cabinet Assembly Instruction

(Item: VDB12-3 VDB15-3 VDB18-3 VDB21-3 VDB24-3)

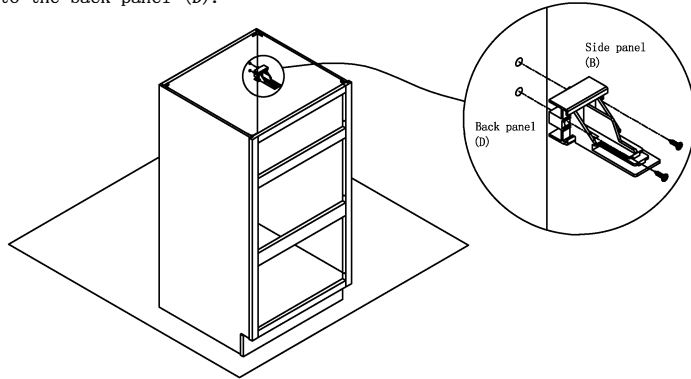
Step 7 : Install back panel. Fit in the L-shape insert bracket from back panel (D) into side panel (B) bracket and assembly the bracket with (3)  $\varnothing 3.5 \times 14$ mm screw.



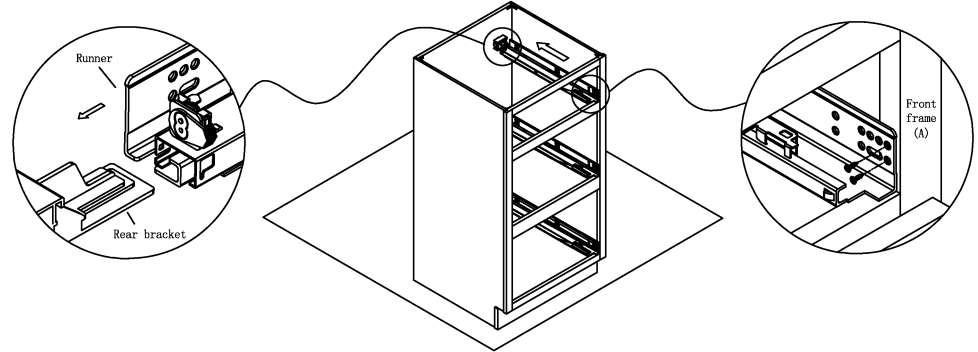
Step 8 : Install corner block. Install rainbow bracket to the side panel (B), front frame (A) and back panel (D) with the (4)  $\varnothing 3.5 \times 16$ mm screw.



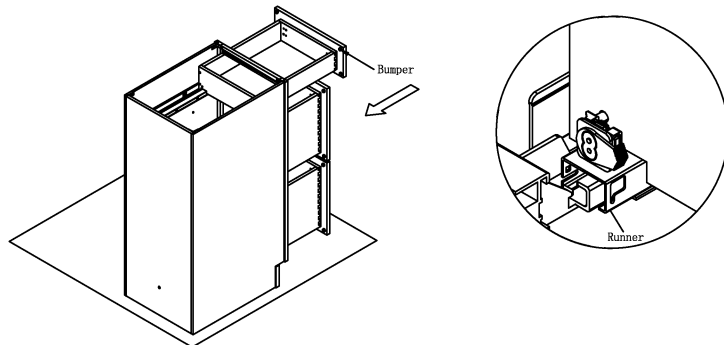
Step 9 : Install the drawer slide rear bracket. Screw the rear slide bracket to the back panel (D).



Step 10 : Insert drawer slide runner to the rear slide bracket and screw the drawer side to the guide hole of front frame (A) and hole for drawer slide



Step 11 : Put the drawer box on the drawer slide and push the drawer box to make the end of runner is lock to the hole of the drawer back panel. Complete the installation of the drawer box when you hear sound click which mean the locking device is locked on the drawer slide.



Step 12 : Finish installation of cabinet.

